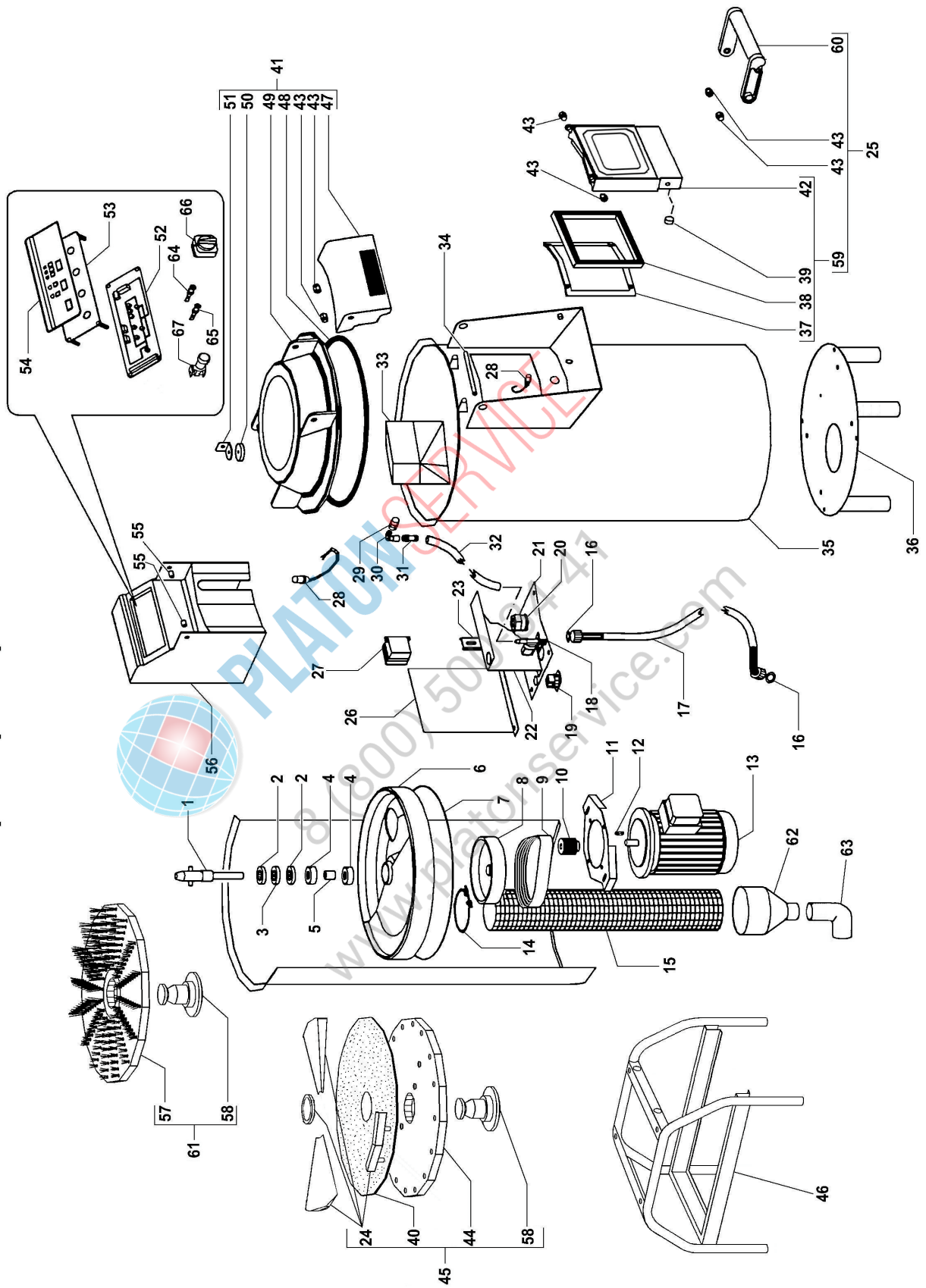


Pelatore universale-pelapatate-lavacozze mod. PLN-PPN-LCN10-18
Universal peeler-potato peeler-mussel washer mod. PLN-PPN-LCN10-18



PELATORE UNIVERSALE-PELATAPATE-LAVACOZZE MOD.PLN-PPN-LCN10-18
UNIVERSAL PEELER-POTATO PEELER-MUSSEL WASHER MOD.PLN-PPN-LCN10-18

Rif No	Codice Code	Caratteristiche Characteristics	Descrizione Description
1	36G6590		A bero Shaft
2	3151300	28x42x7	Paraolio Oil seal
3	3190830		Rosetta Washer
4	36F0090	6302 2RS	Cuscinetto Bearing
5	36G5950		Boccola Bush
6	3600870		Fondo Bottom
7	3151750		Guarnizione Gasket
8	36G6600		Puleggia Pulley
9	36G6610	Poly V-559 j12	Cinghia Belt
10	36G6620	(PLN-PPN10-18)	Puleggia Pulley
10	36G0030	(LCN10-18)	Puleggia Pulley
11	35V1230		Staffa Bracket
12	SL0010	5x5x20	Linguetta Key
13	SL0040	400V/3Ph/50Hz(PPN10)	Motore Motor
13	SL0041	230V/1Ph/50Hz(PPN10)	Motore Motor
13	32M0170	400V/3Ph/50Hz(PPN18)	Motore Motor
13	32M0200	230V/1Ph/50Hz(PPN18)	Motore Motor
13	SL1521	400V/3Ph/50Hz(LCN10)	Motore Motor
13	SL1523	230V/1Ph/50Hz(LCN10)	Motore Motor
13	SL1522	400V/3Ph/50Hz(LCN18)	Motore Motor
13	SL1524	230V/1Ph/50Hz(LCN18)	Motore Motor
13	32M4080	400V/3Ph/50Hz(PLN10)	Motore Motor
13	32M4050	400V/3Ph/50Hz(PLN18)	Motore Motor
14	3140460	ø88-ø96	Fascetta Clip
15	SL2721	ø90 (PLN-PPN-LCN)	Tube
15	35X1150	ø90 (PLF-PPF-LCF)	Tube
16	3151550	ø15xø25x3	Guarnizione Gasket
17	33M0010	3/4" F-F	Tube
18	33D1371	230V/50-60Hz 3/4" M	Elettrovalvola Electro-valve
19	32D0360		Pressacavo Cable clamp
20	32D1090	PG21	Pressaguaina Sheathing clamp
21	35Q8620		Piastra Plate
22	35V8601		Divisorio Dividing head
23	32D0630		Piastra Plate
24	32D1010	(PTA) plastic	Kit disco Disk set
25	6005390	Assembly	Sportello Door
26	35M8840		Copertura Covering
27	32Z4840	230V/50-60Hz 3kW	Teleruttore Remote control switch
28	32W3240		Microinterruttore Microswitch
29	33Q6210	1/4" M-F	Raccordo Nipple
30	33Q6040	L 90° 1/4" M-F	Raccordo Nipple
31	33Q5180	1/4" M ø12	Portagomma Cluch
32	33M0960	ø12	Tube
33	36D9660		Saltarello Leaper
34	36G2040		Perno Pivot
35	30W2930	(PLN-PPN-LCN10)	Carcassa Housing
35	SL2694	(PLN-PPN-LCN18)	Carcassa Housing
35	30W3010	22/07/03 f.p.(*) (PLN-PPN-LCN18)	Carcassa Housing
36	SL2721		Fondo Bottom
37	36C0011		Telaio Frame
38	37Q7860		Guarnizione Gasket
39	3600160		Magnete Magnet
40	SL2494		Tela abrasiva Emery cloth
41	6005380	Assembly	Coperchio Cover
42	SA3400	Assembly	Sportello Door
43	36D9550		Boccola Bush
44	SL2135		Disco Disk
45	ACPTA	Assembly	Disco patate Potato disk
46	ACCI	(PLF-PPF-LCF)Assembly	Telaio Frame
47	36M5090		Maniglia Handle
48	SL2871		Guarnizione Gasket
49	36Z6501		Coperchio Cover
50	3600310		Magnete Magnet
51	35V6381		Staffa Bracket
52	32Z3030	01/11/03 f.p.(*)	Scheda elettronica Electronic card
53	30A3620		Pannello Panel
53	30A3560	01/11/03 f.p.(*)	Pannello Panel
54	37M4770		Etichetta Label
54	SL1504	01/11/03 f.p.(*) (PPN-LCN10-18)	Etichetta Label
54	SL1505	01/11/03 f.p.(*) (PLN10-18)	Etichetta Label
55	36D7310		Boccola Bush
56	36Z0690		Scatola Box
57	36G6880		Disco cozze Mussel disk
58	36M5250		Pomello Knob
59	6000930	Assembly	Sportello Door
60	6005400	Assembly	Maniglia Handle
61	ACPPC	Assembly	Disco cozze Mussel disk
62	SL2720	ø100-ø50	Riduzione Reduction
63	SL2719	ø50	Gomito Bend
64	32W2970	230V 2W green	Lampada Lamp
65	32W3280	230V 2W white	Lampada Lamp
66	SL2348		Timer Timer
67	SL1539	Unstable	Pulsante Push button

(*): fuori produzione / out of production